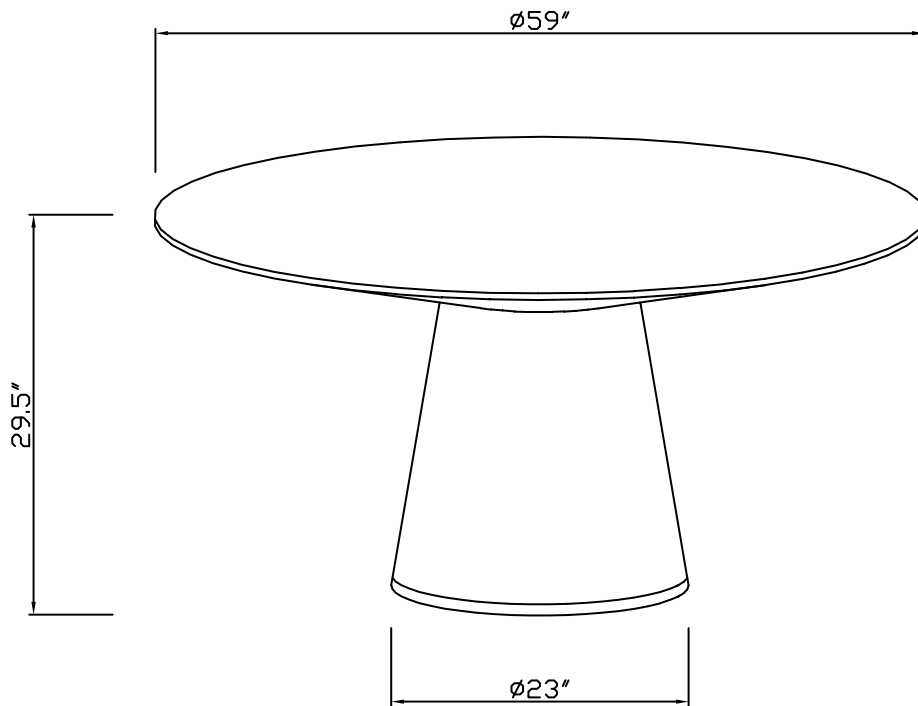




Madison Round Dining Table

Material: MDF with Wood Veneer
Base Material: MDF + Stainless Steel

The wooden boards are TSCA Title VI and CARB P2 compliant. The paint adhesion reaches ASTM D3359 09-Paint Adhesion Test $\geq 4B$.



Product overall dimensions: 59"D × 29.5"H

Please visit our website at www.tcafurniture.com. You may contact us at (888) 227-0477 or via e-mail at support@tcafurniture.com if you need additional information or help.